



ECIFICATION SPECIFICATION

2.4GHz Low Power RF transceiver module



Mode : **Sub-2.4GHz RF Module**

IC Part No : CC2340R5



Module Part No : TC2340-F512-XX

Version : V13

Date : 2023/11/27



■ Applications

- ◆ Medical (Home healthcare)
- ◆ Home and building automation
- ◆ Lighting (LED luminarice,Lighting Control)
- ◆ Factory automation and control
- ◆ Communication equipment
- ◆ Personal electronics

■ Features

- Wireless microcontroller
 - 2.4 GHz RF transceiver compatible with
 - Bluetooth® 5.3 Low Energy
 - Integrated balun
 - Supports over-the-air upgrade (OTA)
 - Serial Wire Debug (SWD)
 - Operating temperature range from -40°C to +85°C
- Low power consumption:
 - 5.3 mA RX
 - 5.1 mA TX @ 0 dBm (System bus off refers to device idle mode, DMA disabled, flash disabled)
 - < 11.0 mA TX at +8 dBm
- RF features
 - Programmable RF output power up to +8 dBm
- Supply voltage
 - Max : +3.8 V

■ Selection Guide

Part No. : TC2340-F512-XX



SA : PCB Antenna

SE : External Antenna

■ Operating range

Parameter	Min	Typ	Max	Units	Condition/Note
Operating battery supply voltage	2.0	3	3.8	V	
Operating ambient temperature range	-40	+25	+85	°C	

■ Electrical Specifications

● Current Consumption

Parameter	Min	Typ	Max	Units	Condition/Note
Current consumption in power down modes		150		nA	shutdown mode
		2.6			active mode
		710		uA	standby mode
Current consumption(TX Power 0dbm)		19.3		mA	Supply voltage=3.8V
		16.2		mA	Supply voltage=3.0V
		10.3		mA	Supply voltage=2.0V

● RF Receive Section

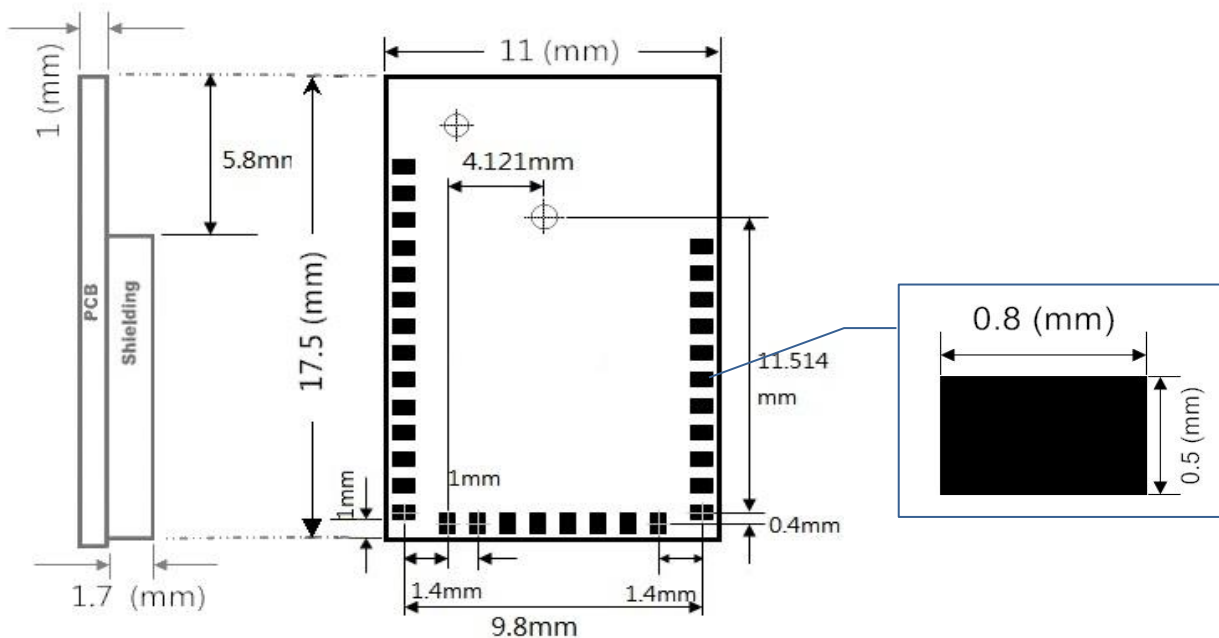
Parameter	Min	Typ	Max	Units	Condition/Note
Current consumption, RX states(2.44Ghz)		-101		dBm	125kbps(LE Coded)
		-94		dBm	1Mbps(LE 1M)
		-90.5		dBm	2Mbps(LE 2M)

● RF Output power

Parameter	Min	Typ	Max	Units	Condition/Note
Current consumption, TX states(2.44Ghz)		+7.8		dBm	Power supply=3V
		+5		dBm	Power supply=3V
		0		dBm	Power supply=3V

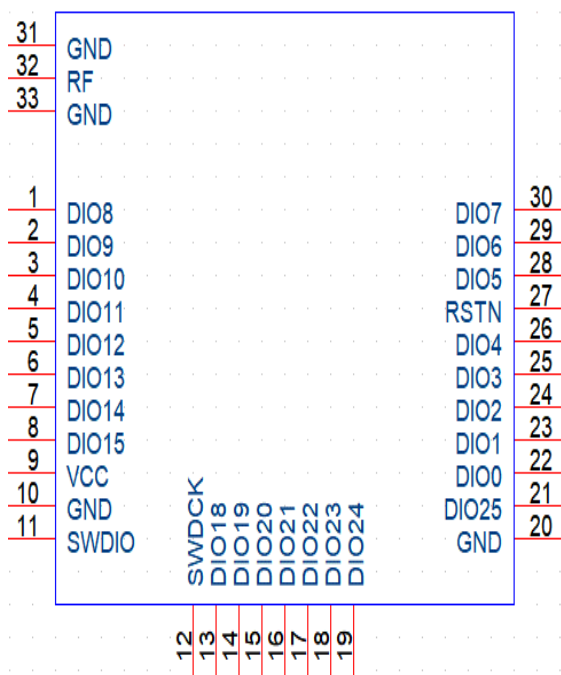
RF Module Dimension

- Module dimension information -



- Pin define information -

Front top view



Reverse bottom view

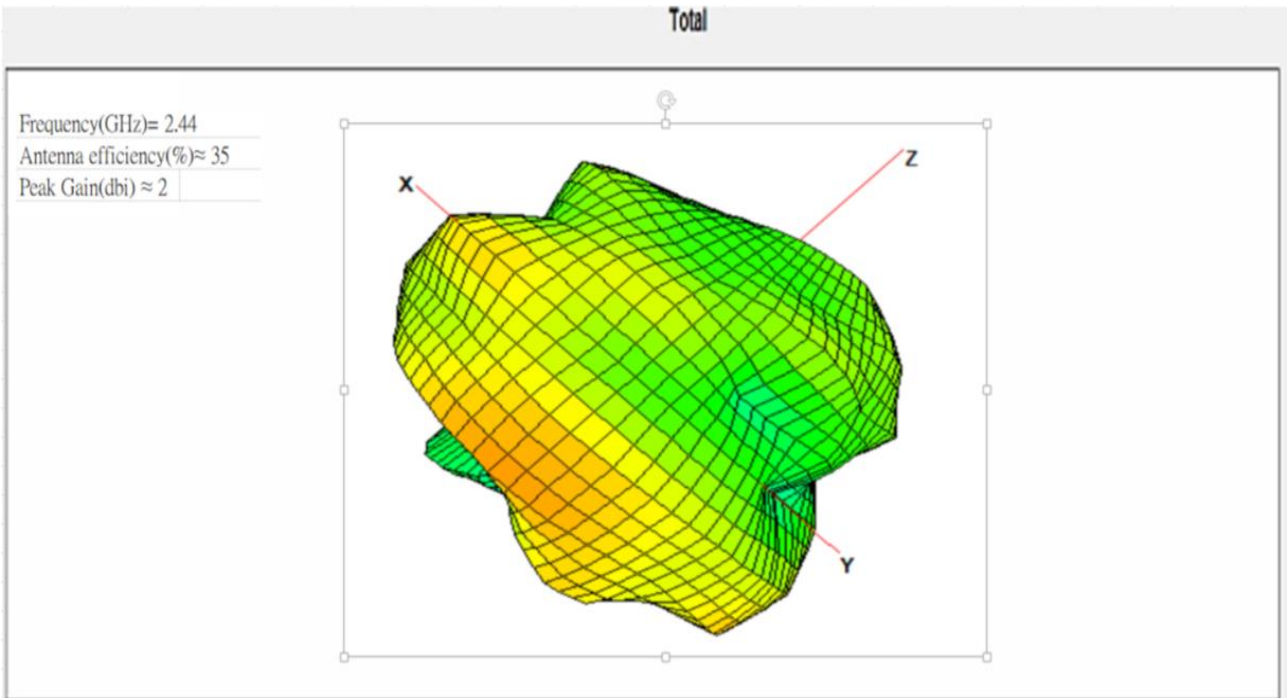
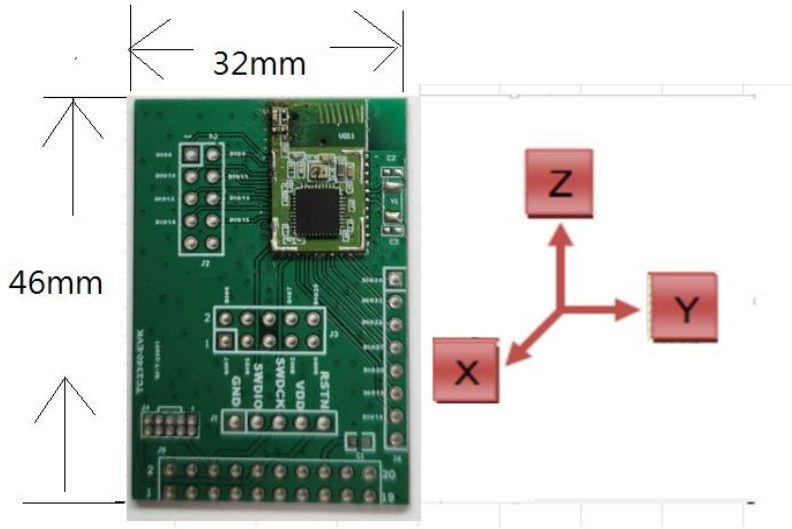


▲ Pin #1

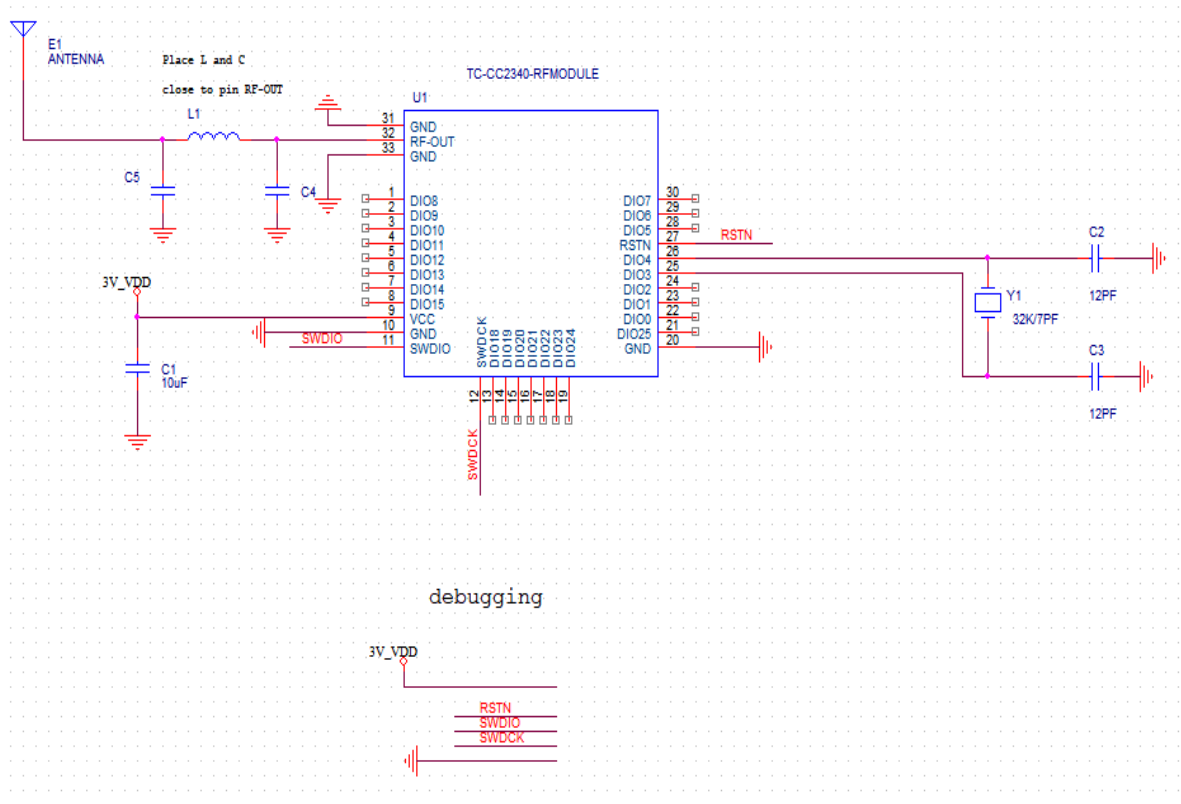
■ RF Module Pin Configuration

Pin #	Pin name	Pin type	Description
▲1	DIO8	Digital I/O	GPIO
2	DIO9	Digital I/O	GPIO
3	DIO10	Digital I/O	GPIO
4	DIO11	Digital I/O	GPIO
5	DIO12	Digital I/O	GPIO
6	DIO13	Digital I/O	GPIO
7	DIO14	Digital I/O	GPIO
8	DIO15	Digital I/O	GPIO
9	VCC	(Digital)	Power supply 1.8 V to 3.6 V
10	GND	Ground	Ground
11	SWDIO	Digital I/O	SWD interface: mode select or SWDIO, high-drive capability
12	SWDCK	Digital I/O	SWD interface: clock, high-drive capability
13	DIO18	Digital I/O	GPIO
14	DIO19	Digital I/O	GPIO
15	DIO20	Digital/Analog	analog capability
16	DIO21	Digital/Analog	analog capability
17	DIO22	Digital/Analog	analog capability
18	DIO23	Digital/Analog	analog capability
19	DIO24	Digital/Analog	analog capability
20	GND	Ground	Ground
21	DIO25	Digital/Analog	analog capability
22	DIO0	Digital/Analog	analog capability
23	DIO1	Digital/Analog	analog capability
24	DIO2	Digital/Analog	analog capability
25	DIO3_X32P	Digital/Analog	32-kHz crystal oscillator pin 1
26	DIO4_X32N	Digital/Analog	32-kHz crystal oscillator pin 2
27	RSTN	Digital I/O	Reset, active low. internal pullup resistor
28	DIO5	Digital/Analog	analog capability
29	DIO6	Digital/Analog	analog capability
30	DIO7	Digital/Analog	analog capability
31	GND	Ground	Ground
32	ANT	RF	External Antenna (50 Ohm)
33	GND	Ground	Ground

Antenna Radiation Pattern



Example schematic:



Document History

Revision	Date	Description/Changes
v10	2023.5.23	
v11	2023.5.29	Add module size.
v12	2023.6.2	Update module size
V13	2023.11.27	Update antenna radiation pattern by EVM

Address Information

新北市新莊區新北大道三段5號13樓之1

電話:02-2994-8858

傳真:02-2994-0801

E-mail:allen@rifo.com.tw

<http://www.rifo.com.tw>

13F.-1, No.5, Sec. 3, New Taipei Blvd., Xinzhuang Dist., New Taipei City 24250, Taiwan (R.O.C.)

Tel :886-2-2994-8858

Fax:886-2-2994-0801



■ RIFO'S PRODUCTS

Standard RF Module

- RF Transmitters
- RF Transceivers
- 2.4GHz - IEEE802.15.4
- SimpleLink™ Wi-Fi®
- NFC
- RF Receivers
- 2.4GHz RF Modules
- Bluetooth RF Module
- Digital Audio Streaming
- Antenna

Market Solutions

- Optical Sensor Module
- Motion Module
- Programmable Control Board
- iBeacon Module
- G-Bike Sensor Module

Tools & Demo kit

- Wearable devices Solution
- BLE Demo kit1
- BLE Demo kit2
- iBeacon Module

Finished products

- Bluetooth headset
- Bluetooth speaker
- Wireless IP Camera

